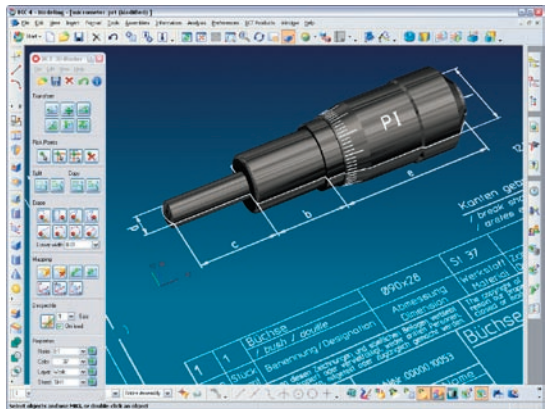


BCT 3D-Raster Suite

Module for the integration of raster drawings into the digital PLM and CAD processes

Valuable product knowledge and purchased part data based on raster, scanned drawings and proprietary legacy CAD data are often managed in a separate process outside the main CAD and PLM environment. The problems associated with having separate processes and the difficulty in accessing this data that is out of the main stream, result in additional expenses and time. Loss of valuable engineering knowledge due to the difficulty in finding it again has a measurable negative impact.

3D-Raster integrates 2D paper or electronic data (e.g. TIFF, PDF, HPGL, legacy CAD etc.) into NX and Teamcenter, where the software allows the data to be stored and edited without having to spend any additional effort to migrate the data into a vector format. By doing this a single standardized process can be established that also includes this raster data. This process provides easy access to this data and makes it possible to edit and add to the drawings without having to do the non-value added task of recreating them. Having the data in the same tools and processes means that it will allow the migration off of legacy systems and provide a single go forward approach supporting a completely digital workflow.



Basic functionality:

- import of 2D raster data (e.g. TIFF, CALS, FORMTEK, JPG, GIF, PDF) into either the NX model or the drawing mode and automatically into Teamcenter Engineering
- generation of a consistent data type: a raster/vector file in .prt format
- raster editing (e.g. edit, copy, delete, scale, rotate, map etc.)
- intelligent point constructor supports the user creating intelligent points that can be used to provide typical NX vector operations without having to vectorize the entire drawing
- despeckling functionality improves the quality of the raster data
- large quantities of raster files can be converted interactively or in batch mode into NX files and into Teamcenter Engineering via 3D-Raster Advanced
- 3D-Raster Advanced provides various configuration possibilities (target folder, mapping of attributes, settings for Item and ItemRevision), and Teamcenter specific settings for importing raster data in a batch mode
- via configuration settings (target folder, image resolution, naming rules) 3D-Raster Advanced Export automatically generates neutral formats (e.g. TIFF, CALS, HPGL, PDF) from any NX parts or assemblies for visualization of the drawing images
- 3D-Raster API provides the programmable interface versions of 3D-Raster Advanced import "raster2part"- and export "part2raster", which can be utilized as C/C++ routines in NX/Open or ITK for customer specific workflows
- 3D-Raster Visualization is a free add-in program for NX (available for download at www.bct-portal.com) that allows the visualization of the hybrid NX/raster files for anyone involved in the NX process